

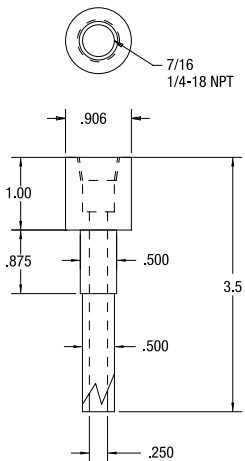
VENT ENCASUREMENT ASSEMBLY



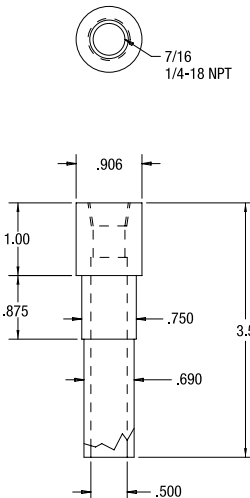
Air lines secure to brass fitting, not the Teflon® tubing.

The vent encasement assembly is used whenever pressurized, inert gas lines are needed and in instances where a solid mount in the line of draw application is desired. This vent encasement assembly significantly outlasts other vent tubes by virtually eliminating thread stripping in the Teflon® tube. It is available in 1/2" diameter and is easily installed into the casting. Use Teflon® lines to connect to your machine air or other compressed air source.

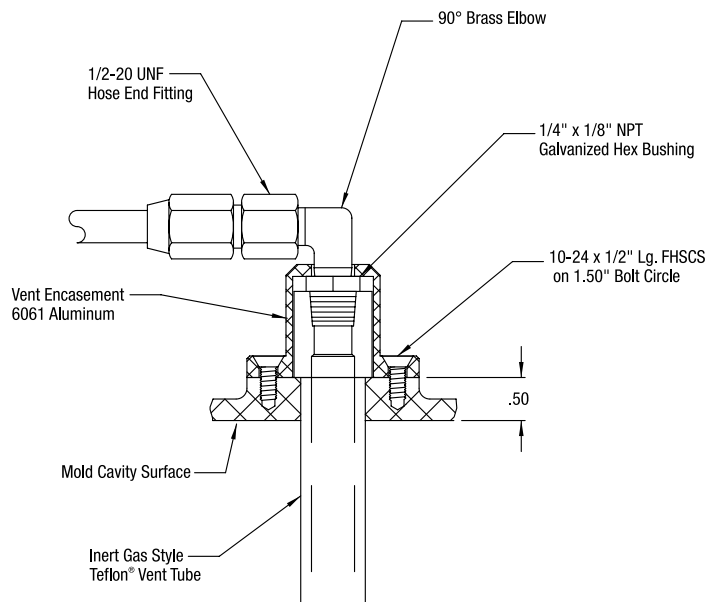
Note: Pad may be required depending upon wall thickness.



VT-1210



VT-3410



Ordering Information

VEA-1200	1/2" Vent Encasement Assembly
VEA-3400	3/4" Vent Encasement Assembly
VE-1210	Vent Encasement
VT-1210	1/2" Teflon® Vent Tube
VT-3410	3/4" Teflon® Vent Tube
HB-1418	1/4" x 1/8" NPT Hex Bushing
BE-9000	90° Brass Elbow
FH-1204	10-24 x 1/2" FHSCS (2 required)