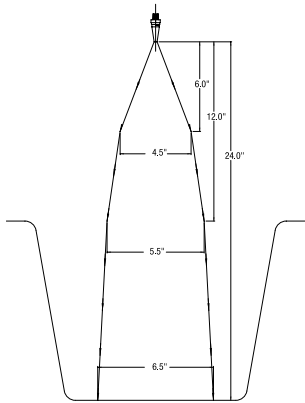


# AIRFLOW AMPLIFIERS

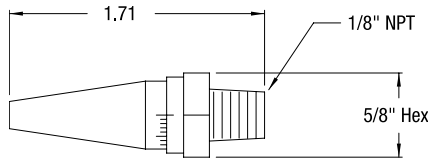


FN-900S



## Nozzle Amplifier

The nozzle amplifier is an inexpensive alternative to the high-performance airflow amplifier. While it moves less air than the high-performance air amplifier, it works very well in specific applications, such as heating core pins and inserts. It is made from stainless steel and is fully adjustable.



Pressure	Velocity (spf) at 6"	Velocity (spf) at 12"	Velocity (spf) at 24"
20	8,000	4,000	1,700
40	12,000	6,000	2,600
60	16,000	8,000	3,500
80	20,000	10,000	4,400
100	24,000	12,000	5,300

**Note:** Reading based on maximum velocity at the specified distance.

## Airflow Amplifier Mounting Bracket

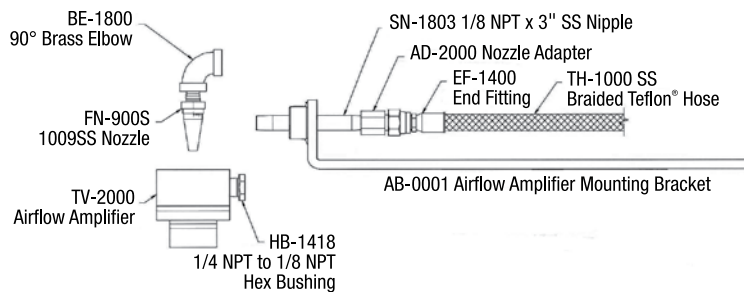
This bracket is a simple method to mount the high-performance airflow amplifier or nozzle amplifier to your frame. Weld the steel bracket directly to the frame or attach with a 3/8" bolt, clearance hole provided. The bracket can be heated and formed to the desired angle.



ABA-0001



ABA-0002



## Ordering Information

<b>TV-2000</b>	High-Performance Amplifier
<b>FN-900S</b>	Nozzle Amplifier
<b>ABA-0001</b>	FN-900S Mounting Bracket
<b>ABA-0002</b>	TV-2000 Mounting Bracket

**Note:** Mounting bracket does not include amplifier, nozzle, end fittings or Teflon® hose.