

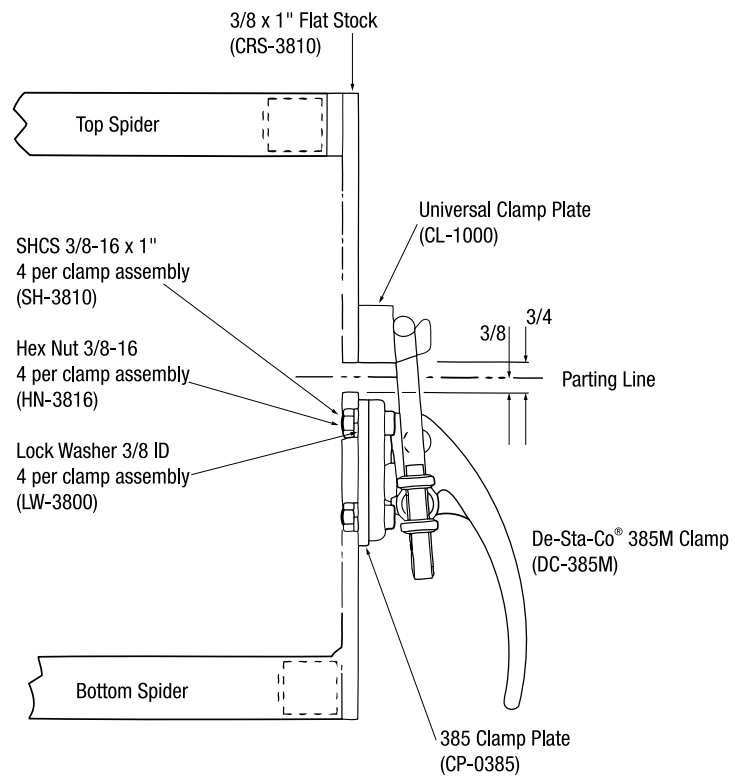
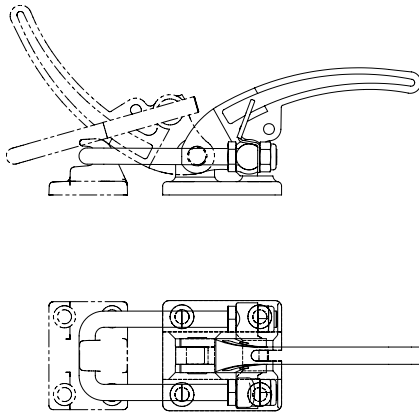
CLAMPS



#385 De-Sta-Co® Clamps

The #385M De-Sta-co® Clamp provides 7,500 lbs. of holding force. These clamps are manufactured with a stainless steel hook pin to prevent any binding caused by the harsh environments of rotational molding. The #385M mounts to the frame using the 385 clamp plate and the universal clamp plate.

DC-385M



Ordering Information

DCA-385M	#385M De-Sta-Co® Clamp Assembly
DC-385M	#385M De-Sta-Co® Clamp
CP-0385	#385M Clamp Plate
SH-3810	SHCS 3/8-16 x 1" (4 required)
HN-3816	3/8-16 Hex Nut (4 required)
LW-3800	3/8 Lock Washer (4 required)
CL-1000	Universal Clamp Plate

Note: Custom clamps are available. Please call for pricing based upon type and quantity required.